

**LOJER**<sup>®</sup>

Lojer and Merivaara  
**HOSPITAL FURNITURE**



Healthcare solutions that understand your reality.



# CONTENTS

<b>Lojer Medical Service maintenance services</b>	<b>5</b>
<b>Hospital beds</b>	<b>6</b>
ScanAfia X ICU L Hospital Bed	7
ScanAfia XS Hospital Bed	9
Carena Plus Hospital Bed	11
Common accessories for hospital beds	13
<b>Stretchers</b>	<b>15</b>
Emergo Stretcher	16
<b>Baby crib trolleys and delivery beds</b>	<b>18</b>
Baby Crib 381	19
Optima Delivery Bed	20
<b>Examination tables and chairs</b>	<b>22</b>
4040X General Examination Table	23
4040XL Heavy Duty Examination Table	25
Capre EX2 Examination Table	27
4050X Gynaecological Examination Table	29
Afia 4060 Gynaecological Examination Chair	31
<b>Medical chairs</b>	<b>33</b>
Capre RC Recovery Chair	34
Capre MC Medical Chair	36
Medical Recliner Chair 6801	38
Geriatric Recliner Chair 6700	40
<b>Upholstery materials and colour options</b>	<b>42</b>
<b>Instrument and waste/linen trolleys</b>	<b>44</b>
<b>Patient and bedside cabinets</b>	<b>48</b>
<b>Shower Equipment</b>	<b>51</b>
<b>Mattresses</b>	<b>53</b>
<b>IV stands</b>	<b>56</b>
<b>Medical lights</b>	<b>58</b>
<b>Chairs and seats</b>	<b>60</b>
<b>Lojer symbols</b>	<b>64</b>



**Lojer Group – from Finland to the world, supporting healthcare with over a century of experience**

Lojer Group is the largest manufacturer of hospital and care equipment in the Nordic countries and a responsible developer of healthcare solutions. Our 100+ years of experience, continuous product development and customer-centric approach make us a reliable partner for all aspects of care work. Our products support healthcare professionals, improve patient comfort and endure year after year even in demanding use. We are a proudly Finnish company and a significant employer, boasting a growing team of 260 professionals!

**Made in Finland – used worldwide**

The Lojer Group consists of Lojer Oy and Merivaara Oy. We manufacture our products at the Lojer and Merivaara facilities in Sastamala, Hollola and Kempele. Our group also includes sales companies Medema in Sweden, Fysiopartner in Norway, Merivaara AB in Sweden and Lojer Medical LLP in Kazakhstan. Together we serve our clients in over 115 countries.

**Sustainability in action**

For us, sustainability means action, not just words. We use carbon-neutral electricity in our production, and our goal is to become fully carbon-neutral by 2035 (Scope 1–3). Long-lasting client relationships and fair partnerships are important in our daily operations, reflecting our genuine care for both people and the environment.

Lojer products have been granted the Key Flag Symbol, indicating that they are made in Finland and their domestic content is at least 50%. The Key Flag Symbol is a sign of

reliability and Finnish work. It communicates quality and sustainability to our clients, assuring them that their purchases support Finnish work and expertise.

**Four business units – one end-to-end service**

- **Hospital & Nursing**  
Supports clinical work, patient safety and ergonomics in a diverse range of care environments.
- **Operating Room Products**  
Provides intuitive operating tables, lights and integration systems that streamline procedures and support patient safety.
- **Physical Therapy Equipment**  
Offers comprehensive solutions for different stages of rehabilitation, combining in-house production with international quality brands.
- **Medical Service**  
Ensures the safety and reliable operation of the equipment throughout their life cycle – from financing and maintenance to recycling.

**Lojer – For Easy Care**

Our mission is to make care work easier. That is why we design products that are simple to learn, use and maintain. We make it easy for our clients to do business with us – we listen, we understand and we develop solutions together. Our goal is to be a reliable partner across all stages of care work.





## LOJER MEDICAL SERVICE



### Lojer Care contracts

Lojer Care contracts are tailored to meet client needs and preferences. The scope of these contracts varies from regular preventive maintenance to an end-to-end service covering spare parts and travel costs as well.



### Maintenance and spare part services

We provide statutory annual maintenance, repair services and spare parts to our clients across Finland. Our professional maintenance extends the lifespan of your equipment while reducing life cycle costs.

**Reliable maintenance across the entire life cycle of the equipment!** Explore our maintenance and spare part services or request us to contact you: [www.lojer.com](http://www.lojer.com)



**LOJER**<sup>®</sup>

SERVICE

# HOSPITAL BEDS

Balancing ease of use and patient comfort, our wide range of hospital beds is designed for primary healthcare and specialised medical care. Made in Finland, our hospital beds are known for their sturdy, dependable and ergonomic design. Thousands of Lojer hospital beds are in use in Finland alone, with some of the oldest models in service for over 25 years.

# SCANAFIA X ICU L HOSPITAL BED

## HOSPITAL BEDS

The ScanAfia X ICU L hospital bed is highly suitable for a variety of hospital wards. The bed's exceptional height adjustment range improves ergonomics for healthcare professionals and supports patient self-sufficiency. In addition to a handset, the nurse control panel (supplied as standard) allows for securing the bed's functions so that the patient cannot use them. It also enables specialised electronic functions, including the Trendelenburg, CPR and cardiac positions. The sliding mechanism in the back section prevents the patient from slipping toward the foot-end of the bed and improves comfort. Quick-release locks at the head and foot of the bed allow for the rapid detachment of end frames in emergencies. Despite the substantial 340 kg safe working load (SWL), the standard 150 mm twin castors make ScanAfia X ICU L easy and effortless to move around.

The bed is designed for long-term use in hospital environment, and it is available with a width of 80 cm or 90 cm. A washable version of this hospital bed model is also available, complete with a wash cycle counter.

ScanAfia X ICU L fulfils all requirements set for medical devices: IEC 60601-2-52, IEC 60601-1-2 (EMC) and SFS-EN 60601-1.



Product shown with optional accessories

Scan the QR code or go to [www.lojer.com](http://www.lojer.com) for more information



## Key features

- 1 Very high load capacity: SWL 340 kg
- 2 Large twin castors (150 mm) and lightweight design make the bed effortless to move around
- 3 Impressive 20° anti-Trendelenburg and Trendelenburg adjustment
- 4 Integrated mattress platform extension

## Specifications



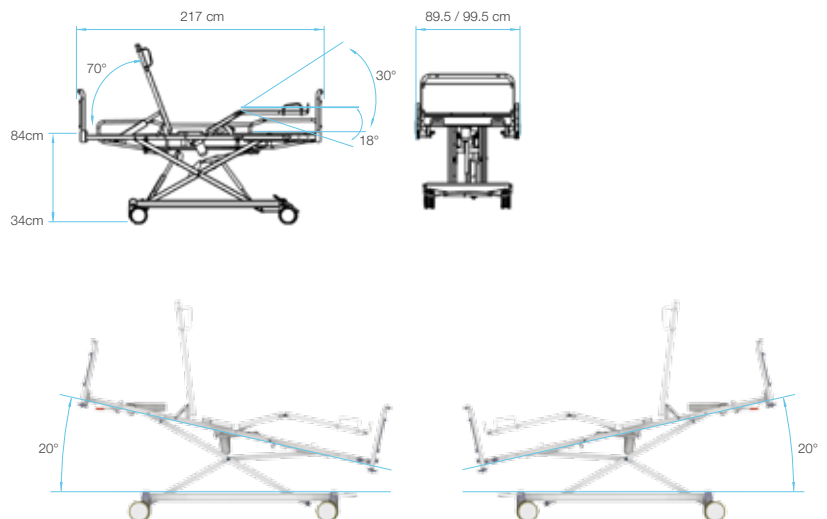
### Factory-installed options:

- 5th castor for easier manoeuvring
- Various castor sizes available
- Wash cycle counter
- Led or lithium-ion battery
- Chrome-plated side rails and end frames
- Raised rails

### Other accessories:

- Handset holder
- Grab handle
- Headboard
- IV stand
- Lifting pole
- Overbed dining table
- Urine bag holder
- Monitor and writing stand
- Oxygen cylinder holder
- Accessory mounting rail

## Dimensions and adjustments



# SCANAFIA XS HOSPITAL BED

## HOSPITAL BEDS

### A reliable choice for inpatient wards

The ScanAfia XS hospital bed is a safe and reliable choice for inpatient wards. This patented hospital bed is designed to meet the needs of healthcare professionals at hospitals, health centres and private clinics. The bed's design is optimised for both nurse and patient ergonomics. The sliding mechanism in the back section prevents the patient from slipping toward the foot-end of the bed.

The bed's exceptional height adjustment range makes it easier for healthcare professionals to work with the patient while improving patient self-sufficiency when exiting the bed. ScanAfia XS fulfils all requirements set for medical devices: IEC 60601-2-52, IEC 60601-1-2 (EMC) and SFS-EN 60601-1.

*Excellent ergonomics, great mobility  
and a wide range of adjustments*



Product shown with optional accessories

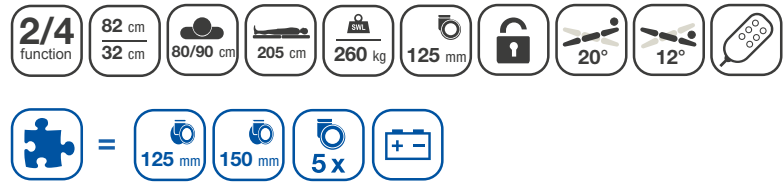
Scan the QR code or go to [www.lojer.com](http://www.lojer.com) for more information



## Key features

- 1 Great ergonomics due to extensive height adjustment range
- 2 High load capacity: SWL 260 kg
- 3 Twin castors make the bed effortless to move around

## Specifications



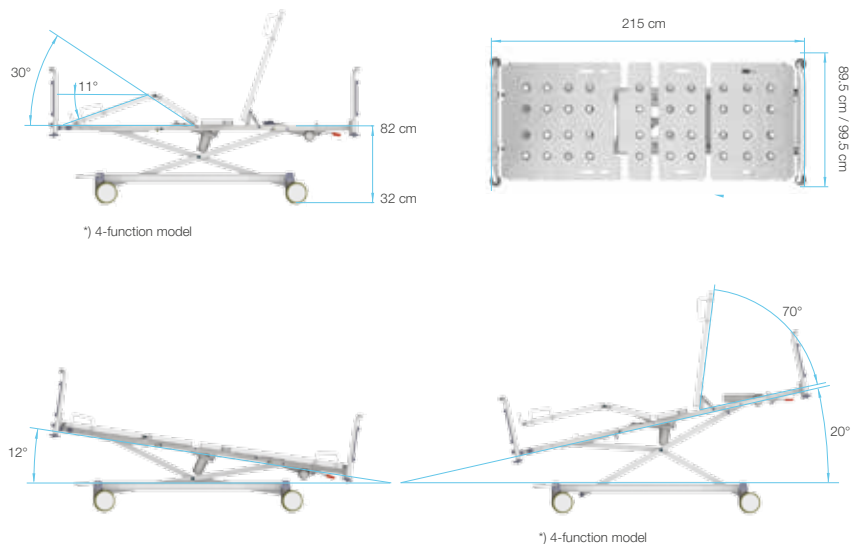
### Factory-installed options:

- Battery-powered
- 5th castor for easier manoeuvring
- Various castor sizes available
- +15 cm extendible model
- Raised rails
- Chrome-plated side rails and end frames

### Other accessories:

- Lifting pole
- Grab handle
- IV stand
- Fold-down end panel (serves as a bed-making support)
- Nurse control panel
- Motorised CPR function
- Urine bag holder
- Overbed dining table
- Headboard
- Monitor and writing stand
- Flexible handset holder
- Oxygen cylinder holder

## Dimensions and adjustments



# CARENA PLUS HOSPITAL BED

## HOSPITAL BEDS

### Redesigned high-end hospital bed

The Carena Plus hospital bed with an improved, straightforward design enables rapid frame cleaning and better hygiene management. The ergonomically advanced design supports the well-being of both patients and professionals. The extensive height adjustment range increases safety and self-sufficiency for patients of various sizes. This hospital bed has a safe working load (SWL) of 330 kg, yet it is extremely effortless to move around.

Carena Plus fulfils all requirements set for medical devices: IEC 60601-2-52, IEC 60601-1-2 (EMC) and SFS-EN 60601-1.

The optional nurse control panel improves the usability of the bed, enabling various postures and memory-stored positions. Supplied as standard, the quick-release locks for securing the bed's head and foot ends are designed to ensure quick and easy operation in emergencies. A washable version of this hospital bed model is also available, complete with a wash cycle counter.



Product shown with optional accessories

Scan the QR code or go to [www.lojer.com](http://www.lojer.com) for more information



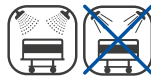
## Key features

- 1 Improved design enables rapid frame cleaning and better hygiene management
- 2 Optional nurse control panel
- 3 Manual and electronic Trendelenburg adjustments
- 4 One-piece side rails spanning the length of the mattress platform

## Specifications



Options:



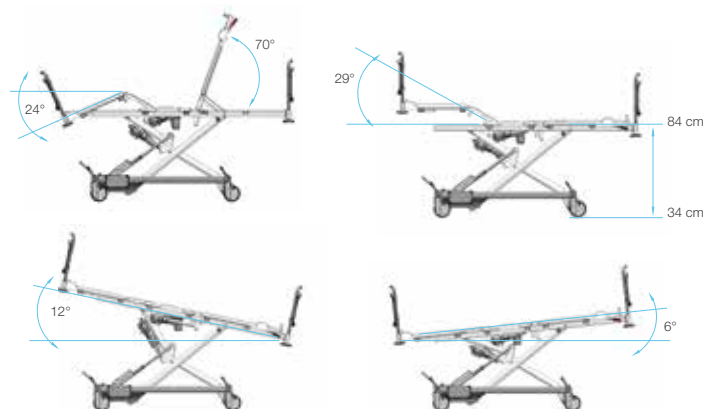
Factory-installed options:

- +30 cm extendible foot section, ABS plastic
- Metal mesh base for the mattress platform
- X-ray mattress platform with raised rails
- 5th castor for easier manoeuvring
- Various castor sizes available
- Led or lithium-ion battery + control panel
- Equipotential bonding system
- Additional handset
- Grab handle
- Grab handle adapter (2 pcs)
- Accessory mounting rail
- Wash cycle counter
- Chrome-plated side rails and end frames
- Detachable end frame with quick-release locks and chrome-plated frame tube
- One-piece side spanning the length of the mattress platform, chrome-plated
- 3/4 side rail, painted or chrome-plated

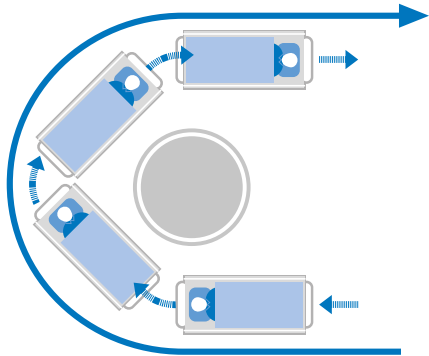
Other accessories:

- Nurse control panel
- Bed-making support / fold-down end panel
- Accessory basket 1–3: small, large and end frame options
- 4-hook infusion stand
- Drainage bag holder
- Oxygen cylinder holder
- Accessory mounting rail
- Cable retainer for bed's mains lead
- Lifting pole

## Dimensions and adjustments



# COMMON ACCESSORIES FOR HOSPITAL BEDS



5th castor for reduced turning radius



Nurse control panel



IV stand and lifting pole



Fold-down end panel



Grab handle (2 different models)



Raised side rails and end frames



Over-rail dining table



Flexible handset holder



Monitor stand



Padded rail cover



15/30 cm extendable model, depending on bed type



Reading stand and dining table

# STRETCHERS

The multi-purpose stretchers are suitable for various uses, including patient transfers, first aid, recovery rooms, minor procedures and even intensive care. The robust and safe stretchers withstand heavy loads and demanding use.

We have several models of Emergo stretchers available for various purposes.

# EMERGO STRETCHERS

## STRETCHERS

The multi-purpose Emergo stretchers are suitable for various uses, including patient transfers, first aid, recovery rooms, minor procedures and even intensive care. The wide range of accessories and adjustment options improves the efficiency of patient transfers and enhances healthcare professionals ergonomics. The adjustable mattress platform ensures a comfortable resting position in the recovery room, for example. Also, the patient does not need to be transferred from the trolley to a seated position, as the Emergo can be easily adjusted to a variety of positions. The broad selection of accessories meets a wide variety of changing needs for years to come.

Range:

- 6250: 2-section mattress platform
- 6270: 2-section X-ray mattress platform
- 6280: 2-section X-ray mattress platform and an ancillary frame for accessories
- 6350: 3-section mattress platform
- 6370: 3-section X-ray mattress platform
- 6380: 3-section X-ray mattress platform and an ancillary frame for accessories



Product shown with optional accessories

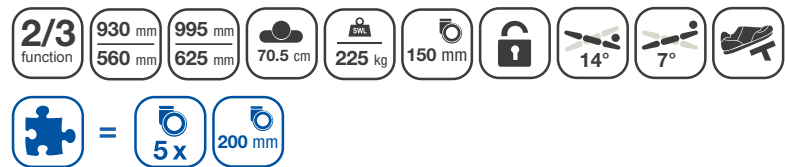
Scan the QR code or go to [www.lojer.com](http://www.lojer.com) for more information



## Key features

- 1 Modular design enables a variety of configurations
- 2 Easy-to-manage functions
- 3 Patient positions are easy and safe to adjust

## Specifications



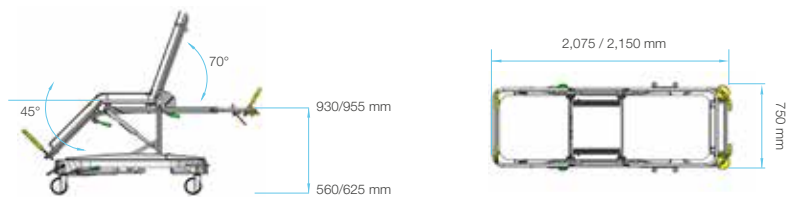
### Factory-installed options:

- Wire basket 582, under the back section
- Wire basket 583, lower frame
- Oxygen cylinder holder under platform, for 2 or 5 kg bottle
- Paper roll holder
- 200 mm castors with central locking and 5th castor
- ABS case, incl. large accessory box
- ABS case with additional brake pedal, incl. large accessory box
- ABS case with 5th castor, incl. large accessory box
- ABS case, small: available only with the large case
- IV stand for the ancillary frame: foldable and fixed

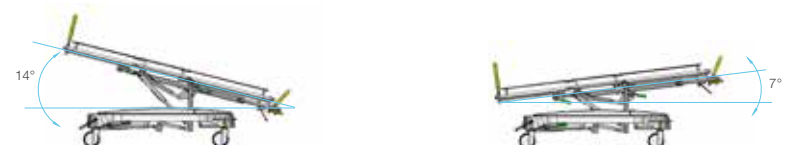
### Other accessories:

- 4-hook IV stand
- Pair of accessory mounting rails (incompatible with side rails)
- Wire basket for end frame (requires end frame)
- Patient restraint straps
- Holder for IV stand
- End frame, width 700 mm
- Pair of side rails, chrome-plated, with yellow corner pieces
- Fold-down push handle: chrome-plated/yellow
- Hygienic mattress 193.5 x 65.5 x 5/8/10 cm: black antistatic cover. Includes side fasteners and velcro on the bottom.

## Dimensions and adjustments



\*) adjustment of the foot section available only in three-section models



# BABY CRIB TROLLEYS AND DELIVERY BEDS

Baby Crib 381 is a highly popular and safe solution for newborns. It is both sturdy and easy to move and reposition in a convenient place for parents or healthcare professionals.

Designed for all stages of childbirth, the ergonomic and mobile Optima delivery bed also enables specialised care procedures. The versatile Optima bed has been designed with a particular focus on excellent comfort, safety and mobility.

# BABY CRIB 381

## BABY CRIB TROLLEYS AND DELIVERY BEDS

The Baby Crib 381 is an ergonomic solution for taking care of newborns. It is easy to move and reposition conveniently for both parents and healthcare professionals. For safety reasons, the crib allows for the Trendelenburg position. The baby crib is effortless to handle and easy to keep clean. To save space, bassinets and trolleys can be stacked. The trolley is chrome-plated and the bassinet is made of transparent acrylic.



Product shown with optional accessories

2

### Key features

- 1 Safe and sturdy
- 2 Easy and effortless to move
- 3 Easy to keep clean

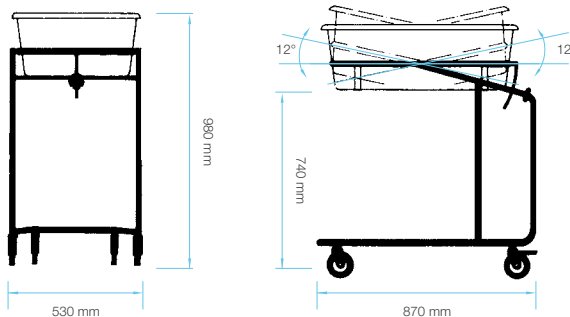
### Specifications



### Other accessories:

- Hygienic mattress for newborns
- Metal wire basket under the bed frame

### Dimensions and adjustments



Scan the QR code or go to [www.lojer.com](http://www.lojer.com) for more information



# OPTIMA DELIVERY BED

## BABY CRIB TROLLEYS AND DELIVERY BEDS

Designed for all stages of childbirth, the ergonomic, safe and mobile Optima delivery bed also enables specialised care procedures. The Optima can be adjusted to various delivery and resting positions to improve the mother's comfort and create optimal conditions. It provides the midwife with immediate access to the mother in all positions, improving safety and ergonomics. The bed features a Trendelenburg adjustment. The bed is also suitable for intrahospital transport and functions as a birthing chair.



Product shown with optional accessories

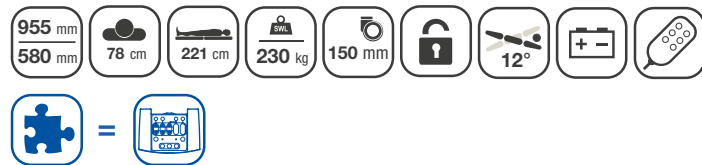
Scan the QR code or go to [www.lojer.com](http://www.lojer.com) for more information



## Key features

- 1 Enables a wide variety of birthing positions
- 2 Ensures the midwife has immediate access to the mother in all positions
- 3 Designed for all stages of childbirth

## Specifications



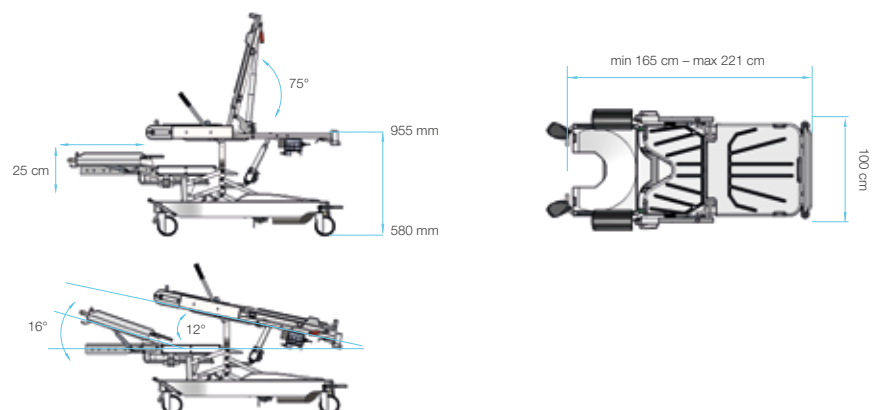
### Factory-installed options:

- Nurse control panel (function lockout)
- Foot control (back section and height)
- Additional handset
- Equipotential bonding
- Patient control panel, reading light and underbed light

### Other accessories:

- Pair of side rails, painted: white, beige, blue, light blue, green, lilac
- Pair of side rails: birch-coloured
- End frame, painted: white, beige, blue, light blue, green, lilac
- Fold-down end panel
- Pair of foot rests
- Pair of knee crutches
- Securing straps for knee crutches
- Squatting bar
- Basket for mattress set, wall-mounted
- Basket for patient chart, mounted on end frame
- 4-hook IV stand
- Monitor stand
- Drainage bag holder
- Urine bottle holder
- Cable retainer
- Mattress set designed for Optima, cover made of PU-coated hygienic fabric with a foam filling.

## Dimensions and adjustments



# EXAMINATION TABLES AND CHAIRS

Lojer's modern, user-friendly examination tables have been designed in collaboration with healthcare professionals to meet their needs in both healthcare and specialised medical care. To ensure high quality, we manufacture the examination tables in Finland, leveraging the latest designs and technology.

The examination tables adapt to a wide variety of examinations and procedures, and they support a range of accessories for flexible integration. And to fully meet the client's needs, a variety of upholstery options provide the finishing touches.

# 4040X GENERAL EXAMINATION TABLE

## EXAMINATION TABLES AND CHAIRS

### Safe and versatile general examination table

The 4040X General Examination Table is designed to meet the needs of various healthcare facilities. Thanks to the table's design and exceptionally low minimum height, both children and the elderly can get onto the table effortlessly. An optional grab handle further enhances safety and comfort during access. The table is lightweight and easy to move around. The table includes advanced safety features: it automatically stops and rises when movement is obstructed, it can be locked using any of the controls, and emergency manual lowering of the back section is available as an option.

The exceptional height adjustment range and high load capacity allow for ergonomic working positions and enhance safety during patient examination and transfer situations.

*The table's height and back section tilt can be adjusted by foot from either side using the optional hands-free foot control.*



Product shown with optional accessories

Scan the QR code or go to [www.lojer.com](http://www.lojer.com) for more information



## Key features

- 1 Exceptional height adjustment range, 40–95 cm
- 2 Streamlined design enables easy cleaning and a high level of hygiene
- 3 With a new safety feature, the table automatically stops and rises when movement is obstructed

## Specifications



### Factory-installed options:

- Dual-function handsfree foot control (height and back section adjustment)
- Manual Trendelenburg
- Electronic Trendelenburg and anti-Trendelenburg with battery
- Battery operation (emergency use)
- 125/150 mm twin castors with central locking
- Face hole
- Emergency manual lowering of the back section
- Single- or dual-function foot control
- Thicker upholstery
- Mattress platform width options 80 cm and 90 cm

### Other accessories:

- Side rail
- IV stand
- Adjustable armrest
- Neck cushion
- Examination light
- Push handles
- Adapter for accessories
- Accessory mounting rail, 380 x 10 x 25 mm
- All accessories mounted on the side rail
- Anaesthesia frame
- Grab handle
- Bumpers

### Future



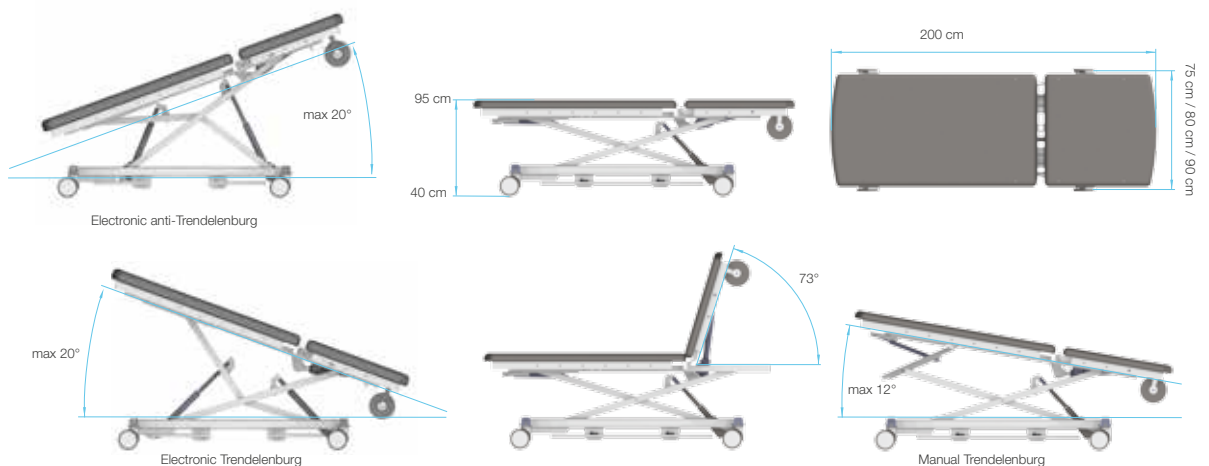
### Nature



### Skai Conductive

■ For more information about upholstery, see pages 42 and 43.

## Dimensions and adjustments



# 4040XL HEAVY DUTY EXAMINATION TABLE

## EXAMINATION TABLES AND CHAIRS

The innovative Lojer 4040XL heavy duty examination table is designed for the demanding requirements of the treatment of larger and bariatric patients. Thanks to the patented design, substantial 300 kg safe working load (SWL) and exceptionally low minimum height, patients can effortlessly get onto the table even from a wheelchair. The exceptional height adjustment range improves ergonomics for healthcare professionals when examining and transferring patients. The 4040XL heavy duty examination table features an extra wide and thick mattress platform, making it more comfortable for heavier patients.

The table is equipped with a safety feature that detects obstructions, stops the movement, and slightly raises the table to ensure the obstruction is released safely. The examination table is suitable for ECG examinations.

*Innovative examination table for demanding use*



Product shown with optional accessories

Scan the QR code or go to [www.lojer.com](http://www.lojer.com) for more information



## Key features

- 1 The extra-wide mattress platform (up to 100 cm), combined with thick foam upholstery, improves patient comfort
- 2 High 300 kg safe working load (SWL)
- 3 The exceptionally wide height adjustment range makes it easier for patients to get onto and off the table, and improves staff ergonomics.

## Specifications



### Factory-installed options:

- Dual-function handsfree foot control (height and back section adjustment)
- Electronic Trendelenburg and anti-Trendelenburg with battery
- Battery operation (emergency use)
- Ø125 or Ø150 mm twin castors with central locking
- Mattress platform width options 80 cm and 100 cm

### Other accessories:

- Side rail
- Foot control
- Accessory mounting rail
- IV stand
- Examination light
- Adjustable armrest
- Neck cushion
- Push handles
- Adapter for accessories
- Anaesthesia frame
- All accessories mounted on the accessory mounting rail

### Future

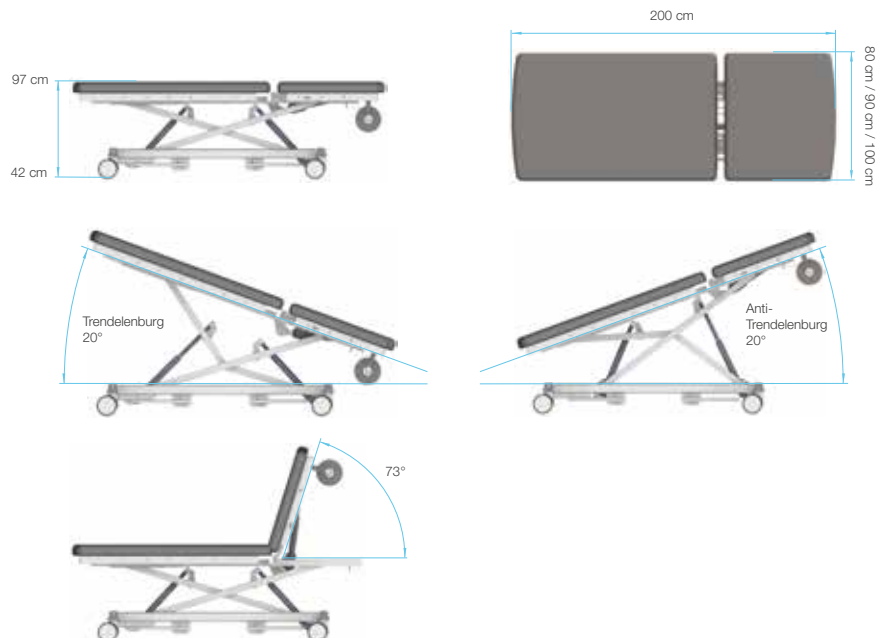


### Nature



Skai Conductive ■ For more information about upholstery, see pages 42 and 43.

## Dimensions and adjustments



# CAPRE EX2 EXAMINATION TABLE

## EXAMINATION TABLES AND CHAIRS

### Sturdy and versatile examination table

Capre EX2 is a versatile examination table designed for the examination room, with adaptability and adjustability that enhances user comfort and functionality.

The table stands firmly on its own legs, and optional 75 mm castors ensure effortless mobility for cleaning and maintenance. Capre EX2 boasts a modern design. Featuring a two-section mattress platform, the Capre EX2 examination table is intended for standard use. It is also available as a height-adjustable version, controlled with a hydraulic foot pedal.

### *Modern and sturdy examination table*



Product shown with optional accessories

Scan the QR code or go to [www.lojer.com](http://www.lojer.com) for more information



## Key features

- 1 Silent and user-friendly
- 2 The table stands firmly on its own legs with non-marking rubber feet
- 3 Easy to keep clean

## Specifications



### Factory-installed options:

- Foot pedal for height adjustment
- Battery operation (emergency use)
- Ø75 mm castors for patient transfers
- Mattress platform width 80 cm
- IV stand-compatible
- 360° pedal for height adjustment

### Other accessories:

- IV stand
- Anaesthesia frame
- Adapter for IV stand and anaesthesia frame
- Accessory mounting rail
- Examination light (secured to the accessory mounting rail or frame)
- Neck cushion
- Paper roll holder
- Adjustable armrest

### Future



### Nature

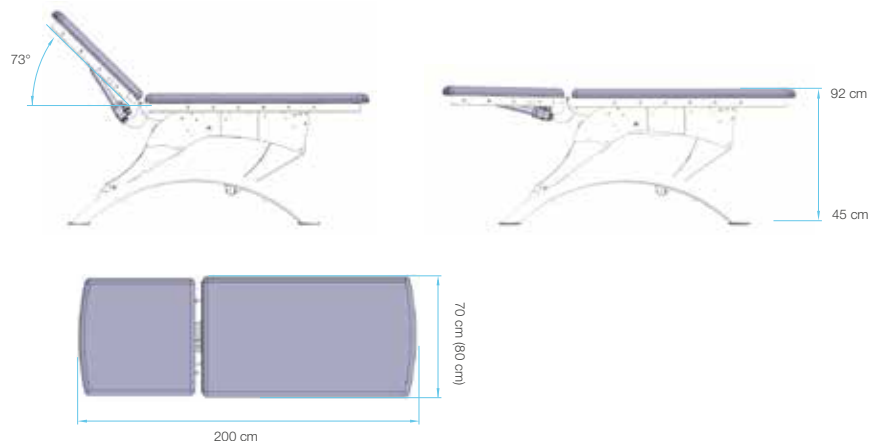


### Skai Conductive



For more information about upholstery, see pages 42 and 43.

## Dimensions and adjustments



# 4050X GYNAECOLOGICAL EXAMINATION TABLE

## EXAMINATION TABLES AND CHAIRS

The 4050X Gynaecological Examination Table is the most versatile examination table in our range. While it is especially well-suited for gynaecological examinations, it can also be used for minor procedures and general examinations. The 4050X Gynaecological Examination Table features a three-section upholstery platform with adjustable seat, middle and back sections. Two different models are available: 4050X M offers a smaller range of features. The more extensively equipped 4050X F includes, for example, a foot control integrated to the end of the table, a handset with memory slots and a motorised seat section.



Model: 4050X M

*User-friendly, high-hygiene examination table for a wide range of uses*

*The table's height and back section tilt can be adjusted by foot from either side using the optional hands-free foot control.*



Model: 4050X F

Integrated as standard at the end of the model F table, the foot control is designed to enable more hygienic and efficient work

Scan the QR code or go to [www.lojer.com](http://www.lojer.com) for more information



## Key features

- 1 Easy to adjust without hands, improving hygiene and efficiency in professionals work
- 2 While the table is designed specifically for gynaecological examinations, it is also well-suited for minor procedures and general examinations
- 3 With a new safety feature, the table automatically stops and rises when movement is obstructed

## Specifications



### Factory-installed options:

- Electronic Trendelenburg and anti-Trendelenburg with battery
- Ø125 or Ø150 mm castors with central locking
- Ø 150 mm conductive twin castors with central locking
- Dual-function handsfree foot control (height and back section adjustment)
- Floor-placed foot control
- Battery operation (emergency use)

### Other accessories:

- Pair of calf supports, white plastic (for minor procedures). Includes quick-release locks and padded securing straps.
- Pair of calf supports, black moulded padding (for longer procedures). Includes rotation rod clamps and padded securing straps.
- IV stand
- Accessory mounting rail
- Quick-release lock, Ø 20 mm
- Side rail
- Anaesthesia frame
- Push handles
- Examination light (secured to the accessory mounting rail or frame)
- Neck cushion
- Adjustable armrest
- Adapter for IV stand

### Future



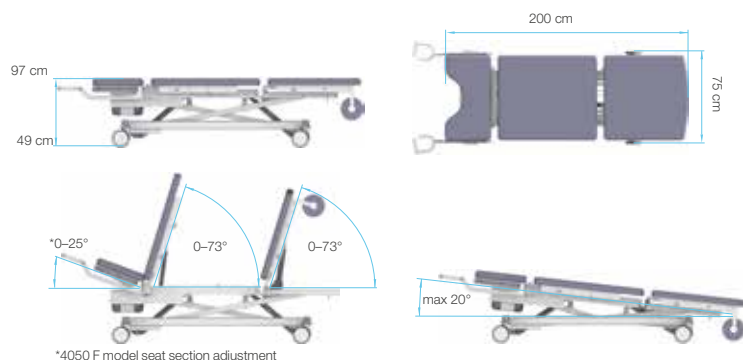
### Nature



### Skai Conductive

■ For more information about upholstery, see pages 42 and 43.

## Dimensions and adjustments



# AFIA 4060 GYNAECOLOGICAL EXAMINATION CHAIR

## EXAMINATION TABLES AND CHAIRS

### Versatile and easy-to-use adjustments

Afia 4060 is an easy-to-use examination chair, designed specifically for gynaecological and urological procedures. It features a two-section upholstery platform, versatile and user-friendly adjustments and a solid set of standard features, including a neck cushion and a paper roll holder.

Afia 4060 Gynaecological Examination Chair includes adjustable heel supports and electric adjustment of height, seat section, and back section, controlled by a handset. The chair can also be electrically adjusted to the Trendelenburg position. Chairs are available in numerous upholstery colour options.

*Versatile examination chair  
for smaller spaces*



Product shown with optional accessories

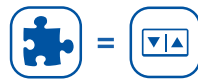
Scan the QR code or go to [www.lojer.com](http://www.lojer.com) for more information



## Key features

- 1 Motorised adjustment of height, back section and seat section
- 2 Compact footprint: overall length 140 cm
- 3 Electronic adjustment to Trendelenburg position

## Specifications



Factory-installed options:

- Arm supports
- Foot control for height adjustment
- Calf supports

Other accessories:

- Cutter for paper roll holder

Future



Nature

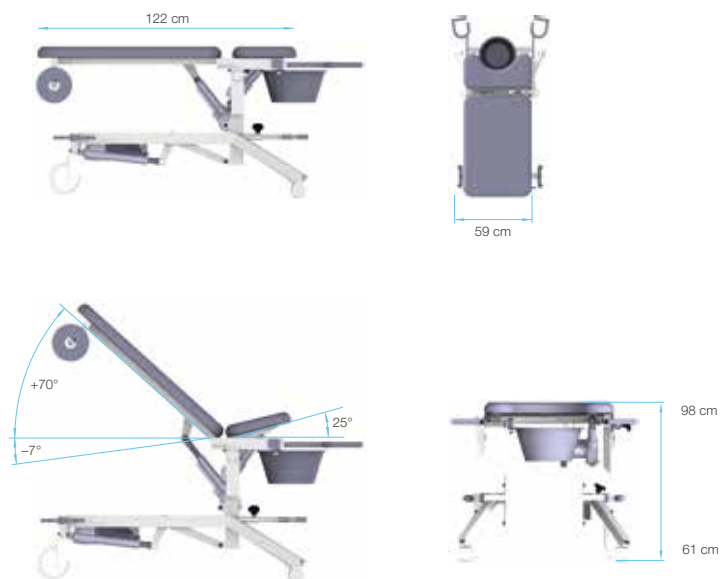


Skai Conductive



For more information about upholstery, see pages 42 and 43.

## Dimensions and adjustments



# MEDICAL CHAIRS

Lojer's range of medical chairs includes options for both primary healthcare and specialised medical care. For example, the Lojer Capre RC and MC chairs provide a top-quality, customised solution for post-operative recovery in ambulatory surgery, dialysis and cytostatic treatments and general examinations. The versatile Capre chairs are designed to support both patient comfort and practical operations at the clinic.

The Medical Chair 6801 is designed for examinations, sample collection and patient transfers. The Lojer Geriatric Chair is a highly versatile product, featuring good cleanability, side supports that increase the sense of safety and a wide range of accessories.

# CAPRE RC RECOVERY CHAIR

## MEDICAL CHAIRS

### Care-optimised medical chair

The luxurious Capre RC Recovery Chair has been designed in collaboration with surgeons to meet the requirements of modern care processes in post-ambulatory surgery recovery. The chair is used in place of a traditional hospital bed to promote patient alertness.

Elegant upholstery, individual adjustments and comfort features, such as a reading light and tablet holder, support the smooth daily routine of the surgical unit and provide comfort for patients during their recovery. The chair's height, back section, seating angle and leg sections can be adjusted, electrically and independent of each other. Furthermore, both the head section and the split leg sections feature a length adjustment mechanism.

The chair features the Trendelenburg position and three pre-programmed care positions (sitting, reclined and supine) along with one position that can be freely programmed by the user. The chair can be adjusted to positions such as the supine or CPR position with a single push of a button.

*Compared to beds, a broader range of adjustment options to meet patient needs*



Scan the QR code or go to [www.lojer.com](http://www.lojer.com) for more information



## Key features

- 1 Modern design and anatomically contoured upholstery increase patient comfort
- 2 Four pre-programmed positions and one position freely programmed by the user
- 3 Adjustable multi-function arm support (height and angle adjustment as well as rotation)

## Specifications



### Factory-installed options:

- Electric foot control
- Upholstery in one or two colours
- Armrests for sampling (wide, longer and with contoured upholstery)
- Battery (emergency use)
- Handset, standard model

### Other accessories:

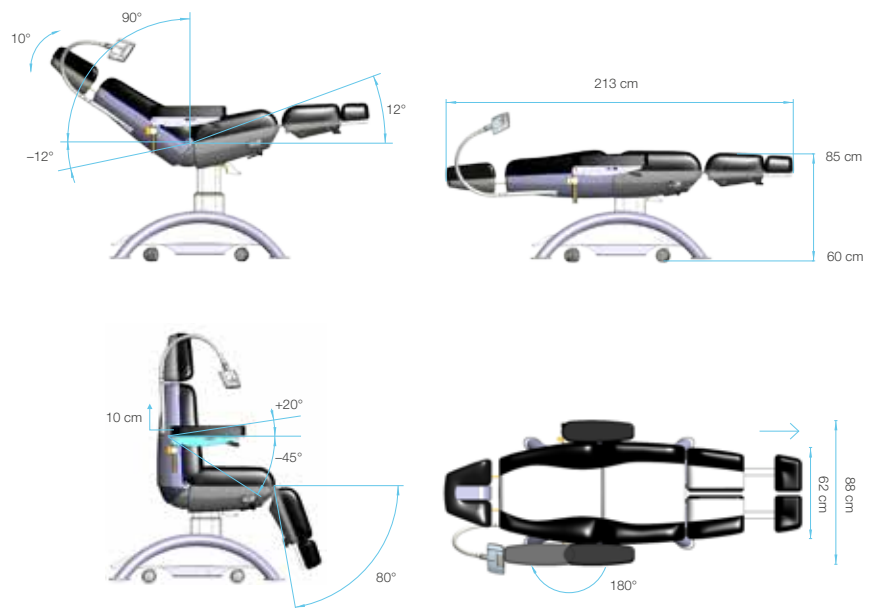
- Tray
- Tablet holder with a flexible arm
- IV stand with one-hand adjustment
- LED light (USB)

### Future



For more information about upholstery, see pages 42 and 43.

## Dimensions and adjustments



# CAPRE MC MEDICAL CHAIR

## MEDICAL CHAIRS

### Patient comfort for demanding care procedures

The Capre MC Medical Chair has been designed in collaboration with healthcare professionals to meet modern care requirements in areas such as dialysis and cytostatic treatments. Due to its modular structure, the chair is also suitable for use as an examination chair. The chair features the Trendelenburg position and three pre-programmed care positions (sitting, reclined and supine) along with one position that can be freely programmed by the user. The chair can be adjusted to positions such as the supine or CPR position with a single push of a button.

This model differs from the Capre RC Recovery Chair in that the leg section is motorised and single-piece, and it includes an adjustable footrest as an option.

*Excellent ergonomics – wide range of adjustments and easy adaptability*



Scan the QR code or go to [www.lojer.com](http://www.lojer.com) for more information



## Key features

- 1 Modern design and anatomically contoured upholstery improve patient comfort
- 2 Four pre-programmed positions and one position freely programmed by the user
- 3 Patient-operated footrest adjustment (optional)

## Specifications



### Factory-installed options:

- Electric foot control
- Upholstery in one or two colours
- Armrests for sampling (wide, longer and with contoured upholstery)
- Battery (emergency use)
- Adjustable footrest
- Handset, standard model

### Other accessories:

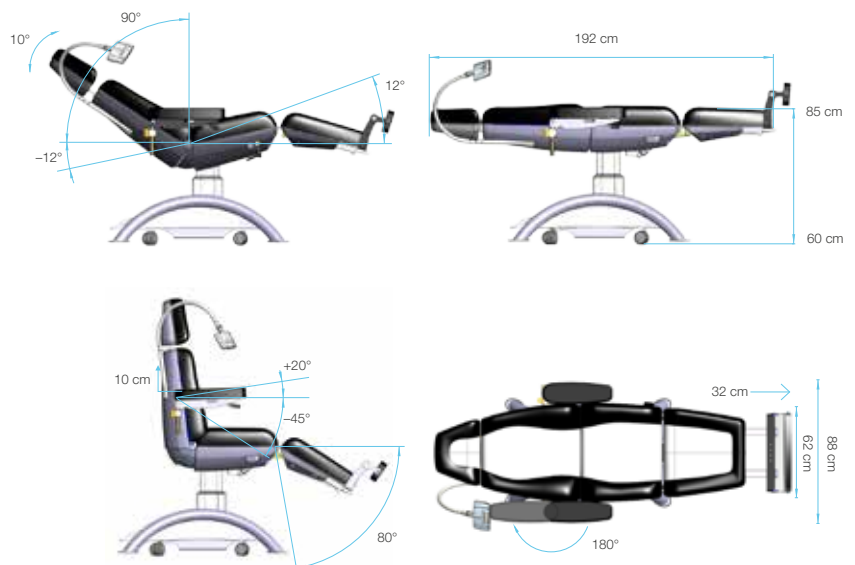
- Tray
- Tablet holder with a flexible arm
- IV stand with one-hand adjustment
- LED light (USB)
- Protective plastic covers for the foot section

### Future



For more information about upholstery, see pages 42 and 43.

## Dimensions and adjustments



# 6801 MEDICAL RECLINER CHAIR

## MEDICAL CHAIRS

Medical Chair 6801 is designed for examinations, sample collection and patient transfers. Special attention has been paid to the design, adjustability and ergonomics of the seat, from the perspective of both the caregiver and the patient. Thanks to the 125 mm castors, the chair offers excellent maneuverability. The stepless adjustments of the chair's backrest and leg sections facilitate care work. Assisted by gas springs, the chair easily tilts into a fully supine position, and it can be hydraulically elevated to the desired height.



Armrests for sampling available as an option

*Versatile medical chair*

Scan the QR code or go to [www.lojer.com](http://www.lojer.com) for more information



## Key features

- 1 Wide adjustment ranges (adjustable back section, calf section, head support and height)
- 2 Patient chair with seamless upholstery for easy cleaning
- 3 The contoured upholstery provides excellent seating comfort

## Specifications



Factory-installed options:

- Calf support adjustability (length adjustment) 130 mm

Other accessories:

- Armrests for sampling
- 35 x 45 cm hygienic pillow for sampling
- IV stand and adapter
- Large, fixed front castors, Ø 300 mm

Future



Nature



For more information about upholstery, see pages 42 and 43.

## Dimensions and adjustments



# GERIATRIC RECLINER CHAIR 6700

## MEDICAL CHAIRS

The Geriatric Recliner Chair 6700 is a high-quality, multi-purpose chair that has been designed to meet the needs of healthcare professionals. The chair has been specifically designed for improved seating comfort, stability and functionality. The standard Ø125 swivel castors ensure that the chair is easy to move around. Ø300 front castors are available as an option for outdoors use, for instance.

*Geriatric multi-purpose  
medical chair*



Scan the QR code or go to [www.lojer.com](http://www.lojer.com) for more information



## Key features

- 1 The contoured seat section, combined with a wide range of adjustments, enables longer sitting periods
- 2 Depth-adjustable dining table that locks onto the armrests
- 3 Suitable also for outdoor use, thanks to the optional large front castors and weather-resistant seating material

## Specifications



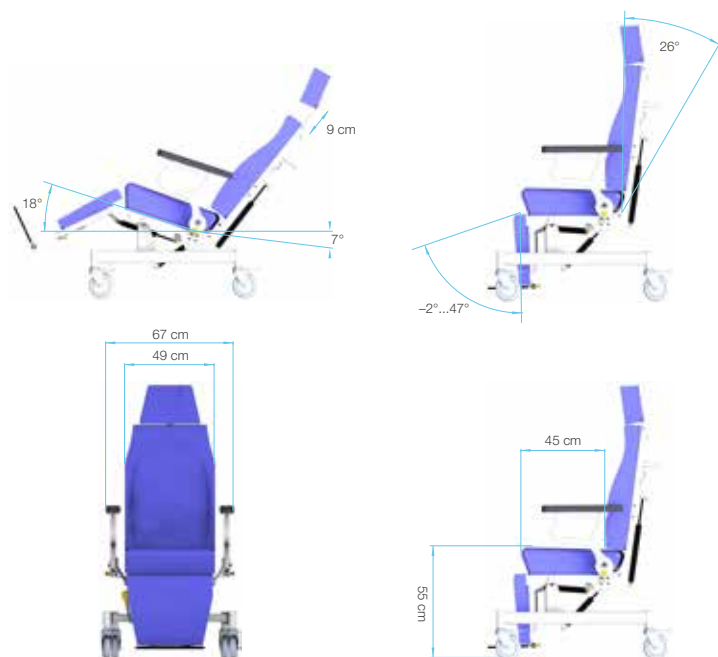
Other accessories:

- Pair of neck supports (colour Falls or Carbon)
- Pair of body supports (colour Falls or Carbon)
- Seat belt
- IV stand and adapter
- Ø300 mm front castors

Future

For more information about upholstery, see pages 42 and 43.

## Dimensions and adjustments



# UPHOLSTERY MATERIALS AND COLOUR OPTIONS

## Future

Fire-resistant Future is an elegant Lojer upholstery material which features a slightly pearlescent finish. Thanks to its antibacterial, antimicrobial and anti-mould properties, Future is an excellent choice for demanding conditions. The material features cutting-edge coating technology that remains on the surface and does not wear out even when cleaned. It simultaneously prevents odours and growth of bacteria that cause stains, prolonging the service life of upholstered parts.

This extremely wear-resistant material is 3–6 times more durable than traditional faux leather materials (with a Martindale rating exceeding 300,000 cycles) and highly resistant to general deterioration, such as cracking, splitting and loss of flexibility. It is also waterproof and fade-resistant.

The vinyl coating of the Future material and specifically its performance and durability have been designed for the healthcare industry where bacteria, abrasions and stains can be particularly challenging. The material is easy to clean and must be cleaned regularly. Material composition: top coat 81% vinyl | backing 19% polyester.

## Nature

Durable, high-quality Nature represents a new generation of environmentally friendly materials. It complies with the Oeko-Tex standard, and therefore does not include any heavy metals or phthalates. Thanks to its biocompatibility (EN ISO 10993-5+10), the material is safe for skin. Nature feels very comfortable and warm on the skin compared to regular faux leather. It is especially suitable for medical devices and wellness products used in physiotherapy. Material composition: approx. 50% renewable raw materials | approx. 30% natural raw materials | approx. 20% raw materials derived from crude oil

## Skai Conductive

Skai Conductive is a high-quality faux leather material with the feel and appearance of real leather. In addition, the material is electrically conductive, so it is recommended for medical products in which electrostatic discharges are to be avoided (e.g. heart function tests). Material composition: approx. 90% PVC compound | approx. 10% knitted CO/PES fabric



## Future



Standard: Silver



Standard: Falls



Standard: Tomato



Standard: Beach



Carbon



Space



Pearl



Titanium



Onyx



Sapphire



Lagoon



Pistachio



Plum



Sunrise

## Nature



Night



Sea



Stone



Haze



Sand

## Skai Conductive



Mano

Material/feature	Resistant to disinfectants (subject to a separate list of agents)	Biocompatible	Flame retardant	Durable	Lightfast	Tear-resistant	Long-lasting	Easy to clean	Electrically conductive	Antimicrobial	Compliant with the Oeko-TEX 100 standard	Fulfills the European standard on safety of toys (EN 71-3)	Heavy metal free	Phthalate free
Future	x	x	x	x	x	x	x	x		x		x	x	x
Nature	x	x	x	x	x	x	x	x			x	x	x	x
Skai Conductive	x				x	x	x	x	x					

# INSTRUMENT AND WASTE/LINEN TROLLEYS

Our range includes a number of trolleys to suit various needs, whether you are looking for instrument, ward, service, courier, laboratory or linen trolleys. All our trolleys are made from high-quality materials, and they are highly durable.

Waste/linen trolleys are available in three different waste bag and soiled linen variations, all made of steel.



### Instrument Trolley with Castors 3402

Frame is made of chrome-plated steel tube. Two detachable stainless steel trays (40 x 60 cm). With 75 mm castors, the trolley is very easy to move. The trolley can be placed under an 80 cm worktop. It has a safe working load (SWL) of 50 kg. Size: 75 x 60 x 40 cm (H x L x W). 75 mm castors.

### Instrument Trolley with Castors 3401, incl. accessory box

Frame is made of chrome-plated steel tube. Two detachable stainless steel trays (40 x 60 cm). With 75 mm castors, the trolley is very easy to move. There is an easy-to-clean, plastic accessory box underneath the upper tray, featuring drawer stoppers and opening to both sides. The trolley can be placed under an 80 cm worktop. It has a safe working load (SWL) of 50 kg. Size: 75 x 60 x 40 cm (H x L x W). 75 mm castors.



### Ward Trolley 262

Frame made of chrome-plated steel tube, includes a push handle. Two fixed stainless steel trays (40 x 60 cm). With large 100 mm castors, the trolley is very easy to move. Comes with an accessory box made of easy-to-clean plastic. The box can be opened on both sides. Size: 78 x 60 x 40 cm (H x L x W) / Size with push handle: 92 x 69 x 40 cm (H x L x W). 100 mm castors.

### Service Trolley 285

Frame is made of stainless steel. Fixed stainless steel trays with elevated edges to prevent items from falling (55 x 80 cm). Push handle. Large 125 mm castors, corrosion-resistant material, with two locking castors. It has a safe working load (SWL) of 100 kg (50 kg / tray). Size: 90 x 80 x 55 cm (H x L x W). 125 mm castors.





### Courier Trolley 265

Frame is made of chrome-plated steel tube. Push handle. Baskets (2 pcs) made of steel wire with powder and epoxy coating. Large 100 mm castors. Top basket with 6 sections. Size: 75 x 94.2 x 50 cm (H x L x W) / Size with push handle 94 x 94.2 x 50 cm (H x L x W). 100 mm castors.

### Service Trolley 266

Frame is made of chrome-plated steel tube. Push handle. Baskets (2 pcs) made of steel wire with powder and epoxy coating. Large 100 mm castors. Size: 75 x 94.2 x 50 cm (H x L x W) / Size with push handle 94 x 94.2 x 50 cm (H x L x W). 100 mm castors.



### Laboratory Trolley 255

Frame is made of chrome-plated steel tube. Push handle. Detachable plastic trays with elevated edges. Size: 85 x 62 x 37.8 cm (H x L x W). 75 mm castors.

### Linen trolley 270

Frame is made of chrome-plated steel tube. Four twin baskets made of epoxy-coated steel wire, designed for both mechanically and manually folded linen. Size: 128 x 101 x 47 cm (H x L x W) / Size with push handle 137 x 101 x 47 cm (H x L x W). 100 mm castors.





### Waste/linen trolley 290

Trolley for two bags. Features base supports and a bag fastening mechanism. Frame is made of chrome-plated steel tube. Designed for 100–150-litre fabric or plastic bags. Size: 107 x 80 x 46 cm (H x L x W). Ø100 mm castors. Accessories: Lid

### Waste/linen trolley 291

Trolley for one bag. Features a base support and a bag fastening mechanism. Frame is made of chrome-plated steel tube. Push handle. Designed for a 100–150-litre fabric or plastic bag. Size: 100 x 53 x 46.5 cm (H x L x W). Ø175 mm castors. Accessories: Holder for a 30-litre waste bag. Lid.



### Waste/linen trolley 292

Trolley for one bag. Features a base support, a top and a foot pedal. Frame is made of reinforced chrome-plated steel tube. Push handle and 2 castors. Designed for 100–150-litre fabric or plastic bags. Size: 100 x 53 x 46.5 cm (H x L x W). Ø125 mm castors.

# PATIENT AND BEDSIDE CABINETS

A high-quality bedside cabinet can significantly improve patient comfort and make nursing work easier. A stylish bedside cabinet also serves as an interior design element. Lojer's range of bedside cabinets represents quality Finnish workmanship and matches well with different types of beds.



Product shown with optional accessories.

## Ada Bedside Cabinet

Modular Ada is a durable and safe bedside cabinet designed for heavy use in any hospital. Featuring a modern design, the Ada cabinet includes a stepless height adjustment for the dining table which can also be switched from one side to another without any tools. Thanks to locking 75 mm twin castors, the cabinet is light and easy to move but also locks steadily into place. The frame is made of epoxy-coated steel while the side panels, the dining table and the top are made of laminate. The cabinet comes with two drawers, and the top one can be locked. Colours: standard grey for the top and the side panels, white for the front panels.

Size (W x D x H): 475 mm x 600 mm x 900 mm.

**Accessories:** Top and side panels: birch or beech melamine | Light blue front panels | Table top cover: ABS plastic | Slipper rack | Magazine basket | Bottle or waste bag holder | Intercom holder

## Bedside Cabinet 2020

The frame of the cabinet is made of white epoxy-coated steel. Drawer front panels are available in IKI high-pressure laminate, solid birch or beech. Cover surfaces are made of IKI high-pressure laminate with rounded edges. The height of the meal tray is easy to adjust and can be switched from one side to another without any tools. The cabinet has four locking castors and a drawer stopper. Size (W x D x H): 49 x 57 x 90 cm.

**Accessories:** The dining table can be tilted and used as a reading stand | Side basket | Lock for top drawer



Product shown with optional accessories.



## Bedside Cabinet Nova with Reading and Dining Table

The Nova bedside cabinet is a practical and elegant aid for hospitals and care homes. Featuring two-way drawers, the cabinet can be used effortlessly on either side of the bed. The cabinet is easy to handle and keep clean. Standard colour is light grey melamine, with stained beech melamine available as an option. Well-balanced construction also makes the cabinet safe to use with a reading stand and a dining table. Angle for reading stand and dining table can be adjusted. Also available with a low-rise lower frame.

Size (W x D x H) 66 x 45 x 86 cm.

**Accessories:** Table top cover, ABS plastic, Top drawer lock

## Reading and Dining Table Nova 2680

The Nova 2680 reading and dining table is a practical solution for hospital or nursing beds. The table extends far enough over the bed, making it comfortable to use. The product is easy to stow away: when the dining table is folded down, you can easily line up the tables.

Also available with a low base frame that fits more easily under different hospital beds, as for example Carena and Scanafia hospital beds.

The low base frame height is 75 mm.

Size (W x D x H) 78 x 45 x 78–106 cm.



# SHOWER EQUIPMENT

Developed together with healthcare professionals, Lojer shower equipment is a safe and ergonomic choice for patient handling during hygiene procedures. Made of stainless steel, our long-lasting, easy-to-use shower trolleys are suitable for hospitals and other care facilities.



## Shower Trolley Veera 4310

The sturdy shower trolley features hydraulic height adjustment with foot pedals and a range of 54–89 cm. The trolley is fitted with heat-insulated padding and a pillow. The rails can be easily adjusted from both ends. The frame is epoxy-coated stainless steel. Equipped with durable, high-quality 150 mm waterproof castors and directional locks (both standard features), the trolley ensures smoother transfers through hospital corridors. The trolley can be tilted for drainage with a gas spring, and it is also equipped with a drainage hose, complete with drip prevention and storage hooks.



# MATTRESSES

Suitable for Lojer's hospital beds, our mattress solutions have been developed together with industry leading manufacturers. Our mattresses have been designed in accordance with applicable hospital bed standards. They are suitable for low- and medium-risk patients, and, per product specification, for long-term patients in both home and hospital care.



## FlexCare hygienic mattress

FlexCare is an excellent mattress for patients with low risk of pressure ulcers in settings such as hospitals, nursing homes and home care. The FlexCare hygienic mattress is designed for mobile patients who are not at risk of developing pressure ulcers. The mattress is 13 cm thick and made of fire-resistant, durable and high-resistant foam (density 40 kg/m<sup>3</sup>), with grooves on both sides. The grooved profile improves breathability and articulation of the mattress as the bed is adjusted to different positions.



The hygienic cover is made of PU coated polyester fabric which is impermeable to fluids while still maintaining its breathability. The material is Oeko-Tex certified, flexible in four directions, antibacterial and fire-resistant. The zipper is protected by a drip flap to prevent moisture from entering the inside of the hygienic cover. The easy-care cover can be washed in 70–95 degrees, turned inside out.

The mattress is available in the following sizes:  
75/80/85 x 200 x 13 cm  
78/88 x 205 x 13 cm

The FlexCare hygienic mattress is also available with a rescue cover. The fixed rescue cover is designed for rapid patient evacuation in case of fire, for instance. The top fabric of the rescue cover is made of the same material as the hygienic cover. The base material is made of smooth, water-resistant Oeko-Tex-certified PU-coated polyamide. The rescue cover has integrated pull handles on both ends. Long sides are equipped with velcro straps for securing the patient. Dedicated pockets are provided for stowing away the straps, ensuring they do not interfere with making the bed.



## HighCare antidecubitus mattress

HighCare is a high-quality static antidecubitus mattress designed as a pressure ulcer-preventing lying surface for patients with low-to-medium risk of pressure ulcers in settings such as hospitals, nursing homes and home care.

The mattress is used as part of a prevention treatment programme for pressure ulcers. With a thickness of 5 cm, the upper layer of the interior is made of fire-resistant, softly conforming viscoelastic foam (density 50 kg/m<sup>3</sup>)

that balances tissue pressure and prevents pressure ulcers. With a thickness of 8 cm, the base is made of fire-resistant, high-resistant foam (density 50 kg/m<sup>3</sup>), which supports the patient and makes healthcare professionals work easier during patient positioning and patient transfers.



The hygienic cover is made of PU coated polyester fabric which is impermeable to fluids while still maintaining its breathability. The material is Oeko-Tex certified, flexible in four directions, antibacterial and fire-resistant. The zipper is protected by a drip flap to prevent moisture from entering the inside of the hygienic cover. The easy-care cover can be washed in 70–95 degrees, turned inside out.

The mattress is available in the following sizes:  
75/80/85 x 200 x 13 cm  
78/88 x 205 x 13 cm  
78/88 x 215 x 13 cm  
118 x 205 x 13 cm

The HighCare antidecubitus mattress is also available with a rescue cover. The fixed rescue cover is designed for rapid patient evacuation in case of fire, for instance. The rescue cover has integrated pull handles on both ends. Long sides are equipped with velcro straps for securing the patient.

## Baby Mattress

For Baby Crib 381

A good, safe standard mattress for newborns, suitable for Baby Crib 381. The interior of the baby mattress is made of high-resistant foam, which is tested for fire safety. The easy-care cover is made of PU-coated hygiene fabric, which is impermeable to fluids while still maintaining its breathability. The material is flexible in four directions and protected against bacteria and mould (active ingredient zinc pyrithione). The zipper is protected by a drip flap. The cover can be washed in 70 degrees, turned inside out. Tested for fire safety (SL 1), flame and smouldering cigarette test IMO FTPC part 9. Size: 38 x 62 x 5 cm.



## Antistatic stretcher mattresses

For Emergo Stretchers

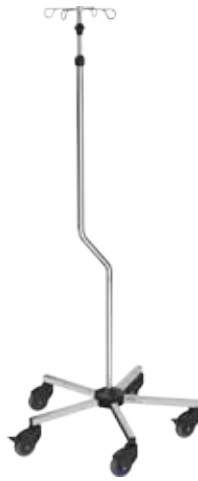
Stretcher mattresses have been designed for transport and x-ray stretchers. The interior of the mattress is made of high-resistant foam, which is tested for fire safety. The interior of model 51701 (10 cm) consists of two layers. The softly conforming, viscoelastic surface layer alleviates tissue pressure, and the cover is made of PU-coated antistatic black hygiene fabric which is impermeable to fluids while still maintaining its breathability. The material is bi-elastic and protected against bacteria and mould (active ingredient zinc pyrithione). The zipper is protected by a drip flap. The mattress features velcro on its underside and 4 velcro straps at the sides for secure placement.

Available models include 51781 (8 cm) and 51751 (5 cm).

The easy-care cover can be washed in 70–95 degrees, turned inside out. Tested for fire safety (SL 1), flame and smouldering cigarette test IMO FTPC part 9. Sizes: 65 x 193 x 5/8/10 cm.

# IV STANDS

Lojer's IV stands are used for numerous applications in hospitals, health centres, private clinics and home care. They can be attached to various Lojer beds and examination tables or moved between locations on their own castors. Lojer IV stands feature standard single-handed quick adjustment, making nursing work significantly easier. Lojer's IV stands are manufactured by Provita GmbH, a German company.



**AI2110:**

IV stand, straight model with castors. Chrome-plated steel, 4 hooks, capacity 4x2 kg. Single-handed height adjustment 126–211 cm. 5x80 mm castors, 2 of which can be locked. Stand base diameter 63.5 cm.

**60124H:**

IV stand, elbow model with castors. Chrome-plated steel, 4 hooks, capacity 4x2 kg. Single-handed height adjustment 148–188 cm. 5x80 mm castors, 2 of which can be locked. Stand base diameter 63.5 cm.

**AI2120:**

Heavy duty IV stand with castors. Stainless steel, 4 hooks with a capacity of 4 x 2 kg. Single-handed height adjustment 150–235 cm. 5x75 mm twin castors, 2 of which are antistatic and can be locked. Heavy duty base, stand overall weight 11 kg. Stand base diameter 63 cm

**60129MRI:**

Aluminium IV stand for MRI with castors. 4 hooks, capacity 4x2 kg, height adjustment locked with screw. 5x50 mm twin castors. Stand base diameter 63.5 cm.

**I-HA4130**

Rainbow/yellow colours, airplane-shaped castors, capacity 4x2 kg, height adjustment with screw 135–200 cm. 5x50 mm castors, 2 of which can be locked. Stand base diameter 63.5 cm. Other models available include the I-HA4125 with rainbow/red colours and the I-HA4126 with rainbow/green colours and mouse-shaped castors.



**A wide selection of handle options available as accessories**



Push handle. Sliding handle for all mobile systems. Ergonomic design – easy to use, comfortable grip. Material: stainless steel.



Push handle. Optimal hygienic properties. Ergonomic design – easy to use, comfortable grip. Material: stainless steel.

# MEDICAL LIGHTS

Merivaara's Q-Flow surgical light has received several design awards. Now the family has grown with two compact lights: Q-Flow 1 and Q-Flow 2 utilise the technology of the large Q-Flow surgical lights, where excellent tissue colour rendition is an essential feature. Merivaara's Q-Flow 1 examination light and the Q-Flow 2 minor surgical light are particularly suitable for smaller operations performed outside main operating rooms. The light heads can be easily connected to arms optimised for different procedures, improving the ergonomics of the healthcare staff.

The new lights of the Q-Flow product series can be used with one hand: this improves patient safety, as the user can keep the other hand clean for patient care. Disposable sterile handle covers are also available – they offer a hygienic and effortless alternative for sterilisation. Smooth design of splash proof enclosure ensures efficient cleaning of the product.



## Q-Flow offers many benefits

### USER-FRIENDLY WORKING CONDITIONS

- Single-handed use
- Detachable sterilisable handle
- Simplified user interface

### EXCELLENT COLOUR RENDERING

- Close to perfect overall colour rendering properties
- Illuminates even minor differences in red coloured tissues
- Excellent skin colour rendering

### ENABLES ASEPTIC WORKING CONDITIONS

- Elegant design combined with easy maintenance

Technical specifications	Q-FLOW 1	Q-FLOW 2
Illumination intensity at 1 m (lux)	50,000 (Tolerance $\pm 10\%$ )	100,000 (Tolerance $\pm 10\%$ )
Colour rendering index (Ra)	98	98
Red colour rendering index (R9)	93	97
'Skin colour' rendering index (R13)	98	98
Colour temperature (K)	4,400	4,400
Depth of illumination at 60% (mm)	1,100	900
Light field diameter (mm)	240	150-220
Dimming	25-100	25-100
Number of LEDs	9	18
Average life time of LED (h)	> 60,000	> 60,000
Working distance (mm)	500-1,500	500-1,500
Power consumption (W)	17	32
External dimensions (mm)	Length 400, $\varnothing$ 260	Length 400, $\varnothing$ 260
Light head weight (kg)	2.6	2.7
Detachable sterilisable handle	Yes	Yes
Disposable sterile handle cover	Optional	Optional
Degree of protection (light head)	IP44	IP44
Product code	520103, 520101, 520203, 520201	520103, 520101, 520203, 520201
EU/2017/745 (MDR) Standards	IEC/EN 60601-2-41, IEC/EN 60601-1:2020, IEC/EN 60601-1-6:2021, IEC 60601-2-41:2022, IEC/EN 60601-1-2: 2021	
Manufacturer	Merivaara Corp.	



Compact Q-Flow™ 1 and Q-Flow™ 2 lights are a part of the world-renowned Merivaara Q-Flow™ family of lights.



# CHAIRS AND SEATS

Our upgraded chairs and seats have been designed for healthcare professionals, and they were selected for our range in cooperation with occupational physiotherapists. The chairs and seats are made in Finland.

As part of the upgrade, we have improved the chairs and seats by reducing their base diameter – without compromising on their sturdiness. In addition, the chairs can now be fitted with, for instance, our new highly durable and stylish Future material, a white base and white castors. Saddle chairs can be equipped with a so called Pilates feature, which promotes active sitting and reduces back fatigue, eliminating the need for additional angle adjustment.

Ask for more information about chair accessories, which can vary by model.

## Easy Rider Saddle Chair CH1100

Popular saddle chair with seamless upholstery. The chair can be fitted with our new, elegant and highly durable Future material (14 colours), with the Nature material (5 colours) or with optional black leather. The chair features seat angle adjustment and gas spring-assisted height adjustment, as well as a gas spring cover matching the base colour. The seat is 50 cm wide and 35 cm long. It has a safe working load (SWL) of 150 kg. Standard product configuration: polished aluminium base: Ø 528 mm | height adjustment range: Medium (54–74 cm) | black 65 mm castors | upholstery: Future or Nature



Featured product fitted with Future Plum upholstery and the following options: white base Ø 610 mm, backrest and white 65 mm castors.



## Easy Rider Saddle Chair CH1100S (stock item)

Popular saddle chair available for fast delivery. Seamlessly fitted with our new, elegant and highly durable Future material, available in Carbon colour. The chair features seat angle adjustment and gas spring-assisted height adjustment, as well as a black gas spring cover. The seat is 50 cm wide and 35 cm long. It has a safe working load (SWL) of 150 kg. Available only with the following configuration: polished aluminium base: Ø 528 mm | height adjustment range: Medium (54–74 cm) | black 65 mm castors | upholstery: Future, colour: Carbon



## Easy Rider FIT CH1200

New saddle chair with a narrower seat and seamless upholstery. The chair can be fitted with our new, elegant and highly durable Future material (14 colours), with the Nature material (5 colours) or with optional black leather. The chair features seat angle adjustment and gas spring-assisted height adjustment, as well as a gas spring cover matching the base colour. The seat is 45 cm wide and 35 cm long. It has a safe working load (SWL) of 150 kg. Standard product configuration: polished aluminium base: Ø 528 mm | height adjustment range: Medium (54–74 cm) | black 65 mm castors | upholstery: Future or Nature



Featured product fitted with Future Pistachio upholstery and polished aluminium base (Ø 528 mm) and the following options: black 65 mm locking castors and foot height adjustment



## Easy Rider PRO Saddle Chair CH1300

Saddle chair with a 2-part adjustable seat. Seat width can be adjusted between 42 to 48.5 cm. Seamlessly fitted with our new, elegant and highly durable Future material (14 colours), Nature material (5 colours) or optional black leather. The saddle chair features seat angle adjustment and gas spring-assisted height adjustment as well as a gas spring cover matching the base colour. Seat length: 42 cm. It has a safe working load (SWL) of 150 kg. Standard product configuration: polished aluminium base: Ø 528 mm | height adjustment range: Medium (54–74 cm) | black 65 mm castors | upholstery: Future or Nature



Featured product fitted with Future Lagoon upholstery, polished aluminium base (Ø 528 mm), black 65 mm castors and with the following options: foot support ring



## Step Anatomic Chair with Backrest CH1400

Anatomically shaped chair with a backrest. The chair can be fitted with our new, elegant and highly durable Future material (14 colours), with the Nature material (5 colours) or with optional black leather. The chair features backrest angle adjustment and gas spring-assisted height adjustment, as well as a gas spring cover matching the base colour. Seat length and width: 39 cm. It has a safe working load (SWL) of 150 kg. Standard product configuration: polished aluminium base: Ø 610 mm | height adjustment range: Medium (50–70 cm) | black 65 mm castors | upholstery: Future or Nature



Featured product with Future Sunrise upholstery and polished aluminium base (Ø 610 mm) and the following options: foot support ring and 50 mm ESD castors



## Round Seat CH1500

Round seat that can be fitted with our new, elegant and highly durable Future material (14 colours), with the Nature material (5 colours) or with optional black leather. The seat features gas spring-assisted height adjustment as well as a gas spring cover matching the base colour. Seat diameter: 37 cm. It has a safe working load (SWL) of 150 kg. Standard product configuration: polished aluminium base: Ø 528 mm | height adjustment range: Medium (50–70 cm) | black 65 mm castors | upholstery: Future or Nature



Featured product with Future Sapphire upholstery and polished aluminium base (Ø 610 mm) and the following options: backrest and 50 mm brake loaded castors



Technical specifications and accessories						
Model	CH1100	CH1100S	CH1200	CH1300	CH1400	CH1500
Base (polished)	Ø 528 mm	Ø 528 mm	Ø 528 mm	Ø 528 mm	Ø 610 mm	Ø 528 mm
Height adjustment (Medium)	54–74 cm	54–74 cm	54–74 cm	54–74 cm	50–70 cm	50–70 cm
Castors	65 mm, black	65 mm, black	65 mm, black	65 mm, black	65 mm, black	65 mm, black
Upholstery	Future (14 colours) Nature (5 colours)	Future Carbon	Future (14 colours) Nature (5 colours)	Future (14 colours) Nature (5 colours)	Future (14 colours) Nature (5 colours)	Future (14 colours) Nature (5 colours)
Seat width	50 cm	50 cm	45 cm	42–48.5 cm	39 cm	Ø 37 cm
Seat length	35 cm	35 cm	35 cm	42 cm	39 cm	Ø 37 cm
<b>Accessories</b>						
Height adjustment (Low)	46–60 cm	-	46–60 cm	46–60 cm	42–55 cm	42–55 cm
Height adjustment (High)	65–91 cm	-	65–91 cm	65–91 cm	58–83 cm	58–83 cm
Upholstery black leather	o	-	o	o	o	o
Base: polished Ø 610 mm   white Ø 528 or 610 mm	o	-	o	o	White Ø 610 mm	o
Castors: 65 mm, white   65 mm locking, black or white   50 mm brake loaded, black   50 or 65 mm ESD, black. ESD castors available with black faux leather upholstery only.	o	-	o	o	o	o
Backrest with tilt adjustment – requires a Ø 610 mm base	o	-	o	o	X	o
Foot height adjustment – requires 65 mm castors – incompatible with Low height	o	-	o	o	o	o
Foot support ring – incompatible with foot height adjustment – incompatible with Low height	o	-	o	o	o	o
Pilates feature (swinging saddle) – incompatible with backrest – adds 2 cm to maximum and minimum heights	o	-	o	o	-	-

X = standard, o = accessory, - = not available



Foot support ring



Foot height adjustment



Pilates feature \*)



White base and castors



Standard 65 mm, black  
(accessory: white)



65 mm locking, black or white



50 mm brake loaded  
castors, black



50 or 65 mm ESD, black (electrically conductive). ESD castors available with black faux leather upholstery only.

\*) Promotes active sitting and reduces back fatigue, eliminating the need for additional angle adjustment. A seat with a Pilates feature adapts to the seated person's movements, increasing their maximum reach and reducing stress on the thoracic spine.

## LOJER SYMBOLS



**Mattress platform width**  
Product Mattress platform width



**Handset**  
Product can be controlled with handset



**Mattress platform length**  
Product Mattress platform length



**Handsfree height adjustment frame**  
Product can be height-adjusted by foot from any angle



**SWL**  
Safe Working Load, i.e. the maximum load capacity, including the patient, mattresses and accessories



**Electric foot control**  
Product can be controlled with foot controller



**Patient weight**  
Maximum patient weight



**Hydraulic height adjustment**  
Product can height-adjusted by foot by pumping a hydraulic cylinder



**Height adjustment range**  
Product maximum and minimum height



**Trendelenburg adjustment**  
Product features Trendelenburg adjustment



**Size of standard castor**  
Central or single locking standard castor diameter (mm)



**Anti-Trendelenburg adjustment**  
Product features anti-Trendelenburg adjustment



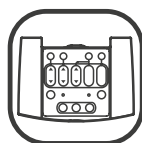
**Size of twin castor**  
Central or single locking twin castor diameter (mm). Twin castors offer better stability and mobility compared to standard castors.



**CPR emergency lowering**  
The back section can be quickly lowered to its lowest position.



**5th castor**  
A 5th castor in the middle of the bed base makes the bed much easier to move.



**Nurse panel**  
Additional control panel can be used to access pre-programmed functions or prevent the patient from using certain functions



**Central locking**  
The product features mechanical or electrical central locking, which works either with locking castors or an optional castor lift-up system.



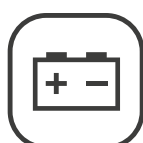
**Machine washable**



**Number of functions**  
Number of product functions, such as height and backrest adjustment (=2X)



**Non-machine washable**



**Battery-powered**  
Product can be fitted with a battery (typically an accessory).



**Accessories**  
Product can be upgraded with factory-installed options or retrofitted accessories.



HOSPITAL FURNITURE  
Lojer Oy, PL 54, 38201 Sastamala, Finland  
Tel +358 (0)10 830 6700  
exportteam@lojer.com  
[www.lojer.com](http://www.lojer.com)